

Drive Cliq IP20 / M12 female 0° shielded 8p.

Specification: 6FX8002-2DC30-1BD0

Female straight – male straight

Plastic housings with good resistance against chemicals and oils.

M12, 8-pole

DRIVE-CLiQ IP20, 10-pole

partly used

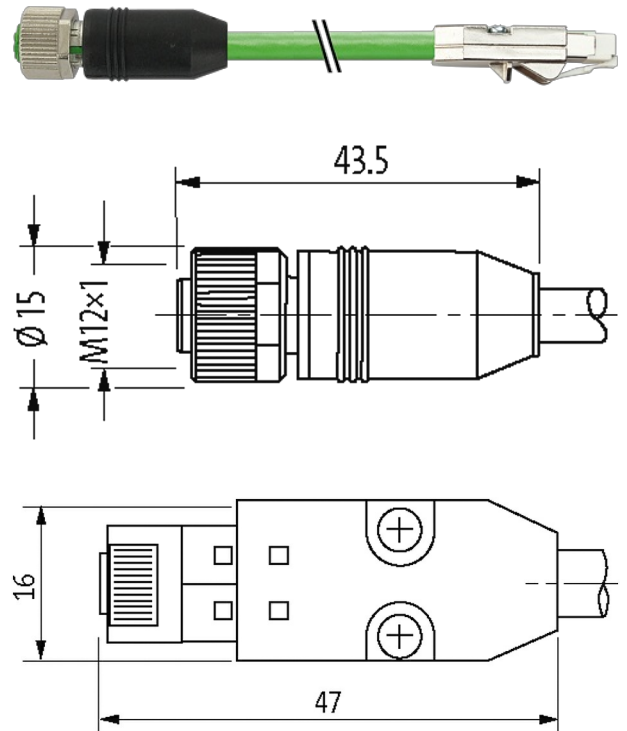
shielded

without cable sleeves

Ethernet CAT5

Further cable lengths on request.

The resistance to aggressive media should be individually tested for your application. Further details on request.

[Link to Product](#)**Illustration**

Product may differ from Image

More Info

EtherNet/IP

Form

Form SS071

General data

Pollution Degree 3

Temperature range -20...+80 °C, depending on cable quality

Cables	
Cable number	880
No./diameter of wires	2 × 2 × 0.20 + 1 × 2 × 0.38
Wire isolation	PO (gnye, pkbl, rdbk)
C-track properties	5 Mio.
Jacket Color	green
Material (jacket)	PUR (UL/CSA)
Outer Ø	6.9 mm ±5%
Bend radius (moving)	10 × outer Ø
Temperature range (fixed)	-20...+80 °C
Temperature range (mobile)	-20...+60 °C
Shield	yes
	min. 85%
Material (jacket)	PUR
Torsion stress	±30 °/m
Specification	MC800+ (6FX8008-1DC00)
Technical Data	
Operating voltage	max. 30 V AC/DC
Rated surge voltage	0.5 kV
Operating current per contact	max. 1.76 A
Material group	IEC 60664-1, category II
Transfer parameters	CAT5, Class D (ISO/IEC 11801:2002), (EN 50173-1)
Transfer rate	up to 100 Mbit/s full duplex
Coding	A-coded
Locking of ports	Screw thread (M12×1 mm) recommended torque 0.6 Nm, self-securing
Compression gland	M12 (SW13)
Protection	IP67 (M12) - IP20 (DRIVE-CLiQ)
Locking material	Zinc die casting, matte nickel plated
Material	PUR
suitable for corrugated tube (internal Ø)	without
Commercial data	
country of origin	DE
customs tariff number	85444210
EAN	4048879654142
eClass	27061801
Packaging unit	1